



DB SERIES 40*40*28 MM

- * Material
Impeller & Frame : Plastic (UL 94V-0)
- * Lead Wires :
UL 1007 AWG #26 or Equivalent
- * Impeller : 5 Blades
- * Rotational direction CCW view from inlet face
- * Weight : 40g (1.41 OZ)

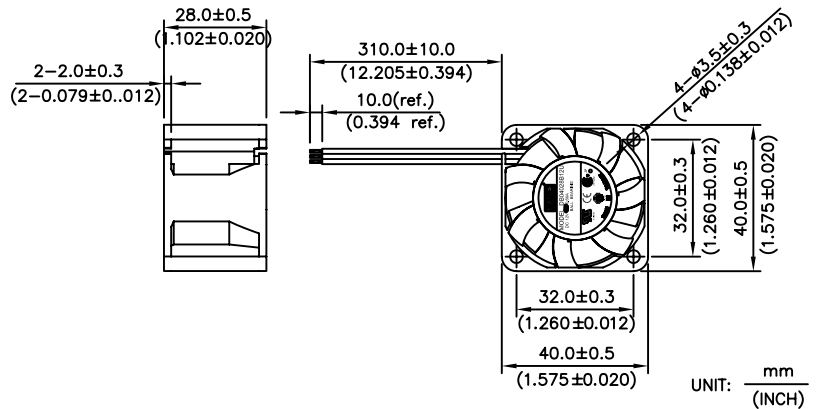
Specification

B : 2 Ball Bearings S : Sleeve
T : 1 Ball 1 Sleeve R : Hydro

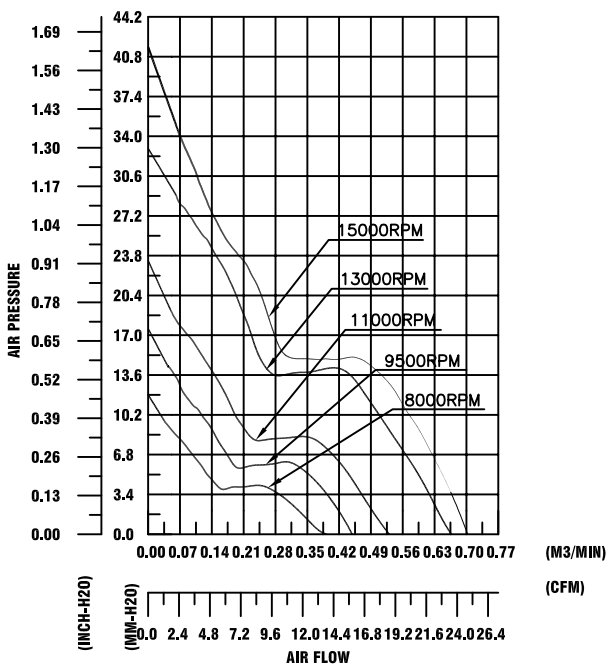
MODEL		Bearing Type	Rated Voltage	Operating Voltage Range	Rated Current	Rated Input Power	Speed	Maximum Air Flow		Maximum Air Pressure		Acoustic Noise
PART NO.	SIGNAL	B.T.S.R	VDC	VDC	Amp	Watt	R.P.M.	m ³ /min	CFM	mmH ₂ O	IN H ₂ O	dB-A
DB04028_12L	-FG/RD	<u>B</u>	12	7.0 to 13.8	0.14	1.68	8000	0.401	13.86	11.60	0.456	40.0
DB04028_12M	-FG/RD	<u>B</u>	12	7.0 to 13.8	0.23	2.76	9500	0.449	15.85	17.57	0.692	45.0
DB04028_12H	-FG/RD	<u>B</u>	12	7.0 to 13.8	0.38	4.56	11000	0.542	18.73	23.38	0.920	50.5
DB04028_12U	-FG/RD	<u>B</u>	12	7.0 to 13.2	0.55	6.60	13000	0.673	23.78	33.65	1.324	54.0
DB04028_12S	-FG/RD	<u>B</u>	12	7.0 to 13.2	0.64	7.68	15000	0.703	24.82	41.61	1.638	58.0
DB04028_24L	-FG/RD	<u>B</u>	24	14 to 26.7	0.10	2.4	8000	0.401	13.86	11.60	0.456	40.0
DB04028_24M	-FG/RD	<u>B</u>	24	14 to 26.7	0.12	2.88	9500	0.449	15.85	17.57	0.692	45.0
DB04028_24H	-FG/RD	<u>B</u>	24	14 to 26.7	0.18	4.32	11000	0.542	18.73	23.38	0.920	50.5
DB04028_24U	-FG/RD	<u>B</u>	24	14 to 26.7	0.28	6.72	13000	0.673	23.78	33.65	1.324	54.0

- * Function type is optional.
- * The max. air flow and the speed are measured in free air ;
max. air pressure is measured at zero air flow.
- * Noise is measured in anechoic chamber in free air, one meter from intake side.
- * All readings are typical values at rated voltage.
- * Specifications are subject to change without notice.

*DIMENSIONS DRAWING:



*P & Q CURVE (AT RATED VOLTAGE):



*MOUNTION PANEL CUTOUT:

